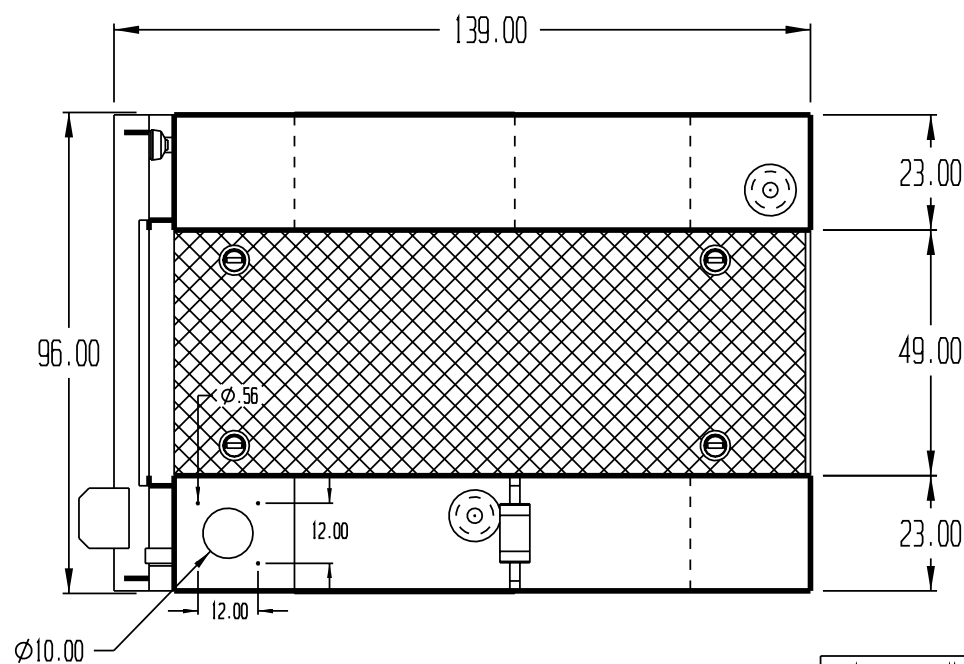
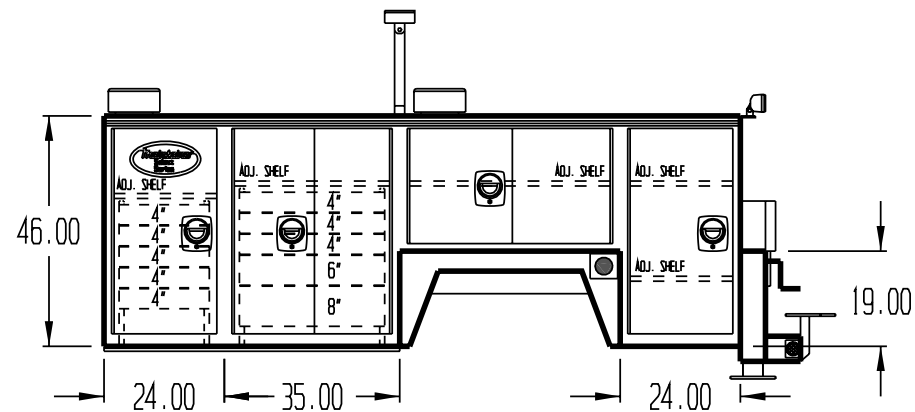
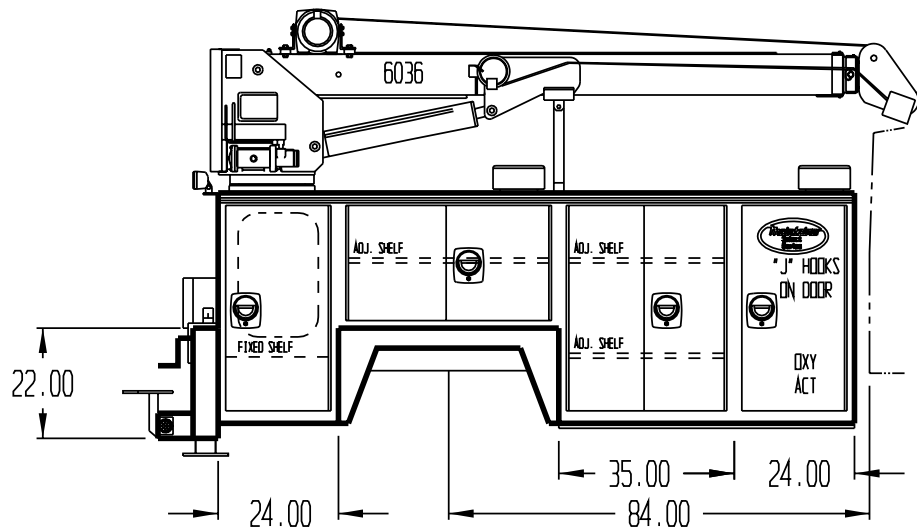


APPROVED BY \_\_\_\_\_

DATE \_\_\_\_\_

PAINT CODE \_\_\_\_\_



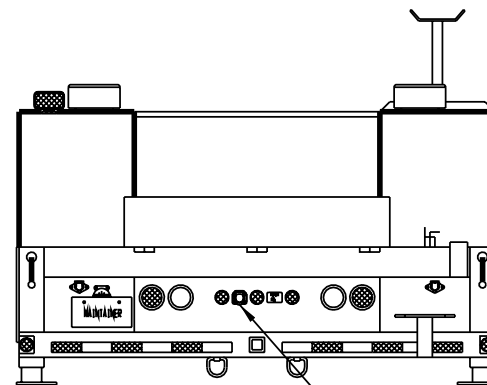
NOTE: USABLE CENTER DECK CARGO WIDTH 48.50"

PLEASE REPORT ANY ERRORS FOUND ON THIS PRINT

NOTE: INTERIOR STRIP LIGHTS SS 1, 2, 3, 4 & CS 1, 2, 3, 4

NOTE: PROTECTIVE SPRAY COVERING ON: CARGO CENTER DECK, COMPARTMENT TOPS, SIDES, (NOT BACKS), FRONT BULKHEAD, TAIL GATE, & STEP BUMPER

NOTE: SPRAY ZOLATONE COVERING INSIDE ALL COMPARTMENTS



TRAILER PLUG 7-PRONG FLAT BLADE

THIS PRINT CONTAINS CONFIDENTIAL INFORMATION AND IS THE SOLE PROPERTY OF MAINTAINER CORP. OF IOWA INC. AND IS NOT TO BE COPIED OR REPRODUCED WITHOUT THE EXPRESSED WRITTEN PERMISSION OF MAINTAINER CORP. OF IOWA INC.

PROPRIETARY DATA PROPERTY OF MAINTAINER CORPORATION OF IOWA, INC.

COPYRIGHT © 2002

**Maintainer**

Corporation of Iowa, Inc.  
P.O. Box 349 1701 S. 2nd Avenue  
Sheldon, Iowa 51201

UDS DIMENSIONS ARE IN INCHES  
GENERAL TOLERANCES

MATERIAL:

BREAK ALL EDGES .01 X 45°  
UDS RADII  
UDS ANGLES

SCALE: 1:26

SIZE: B

MADE IN THE U.S.

DRAWING NUMBER: AA077-4

DFTM. KJB

DATE: 2/16/09

6036ST-1-084

STOCK / SELECT SERIES