

Maintainer

- Aluminum body to resist corrosion including body shell (1/8"), bulkhead, wheel skirting and all exterior sheeting / Aluminum doors
- Cabinet floor reinforcement w/ clean-out drains
- Three point D-ring door latches w/ gas spring door holders
- Adjustable shelving package
- 49" Wide center deck overlaid with deck plating
- 10" Swing-down tailgate
- Rear step bumper
- Fuel fill recessed into body side rail (1-ton only)
- body primed, undercoated
- I.C.C. round recessed lights, reflectors, mud flaps and rear body grab handles

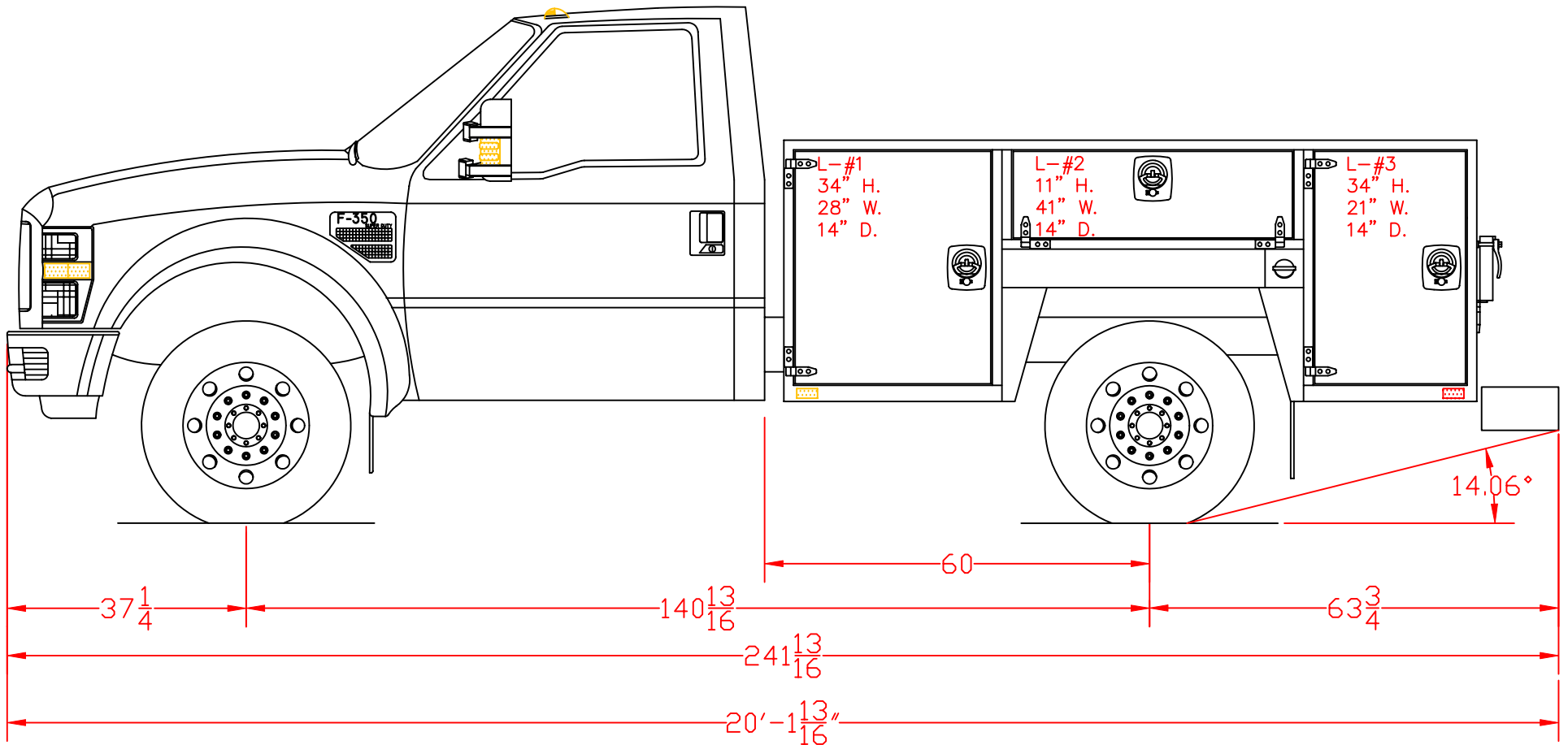
- 1 1-060 34" High X 14" Deep Compartments, 9' Long
Body,
1/8" Aluminum body, installed on chassis

NOTE: For individual crane equipment & accessory items ie. adj. boom saddle, outrigger pkgs., body leveling pkgs., hyd. pkgs. to operate a crane or other hyd. drive components - Contact Factory

- 9 - Painting Equipment & Accessories -
Feet of unit painted urethane "White" color / Base Charge / List Code:
Not a base coat/clear coat or Metallic
Note: Due to variations in OEM paint products and application methods,
Maintainer cannot guarantee a perfect paint match on color
Protective spray covering - cargo center deck & front removable
panel

- 1 - Center Deck Equipment & Accessories -
1 Removable divider panel in center deck
Steel bolt-in center deck plate in lieu of aluminum
1 flooring

- Miscellaneous Equipment & Accessories
-
1 Spare tire bracket - cargo area side wall mounted
1 Vise mount pockets recessed into bumper



CUSTOMER APPROVED BY:

VEHICLE TYPE: UTILITY

VIEW: STREETSIDE

SCALE: NTS

DRAWN BY: NRW

DATE: 7/2/2008

DWG NO.: MCBUTILITY

CHASSIS: FORD F-350 SINGLE WHEEL

BODY MAT'L: ALUMINUM

BODY LENGTH: 108"

APPROVED BY: MP

BODY STYLE:

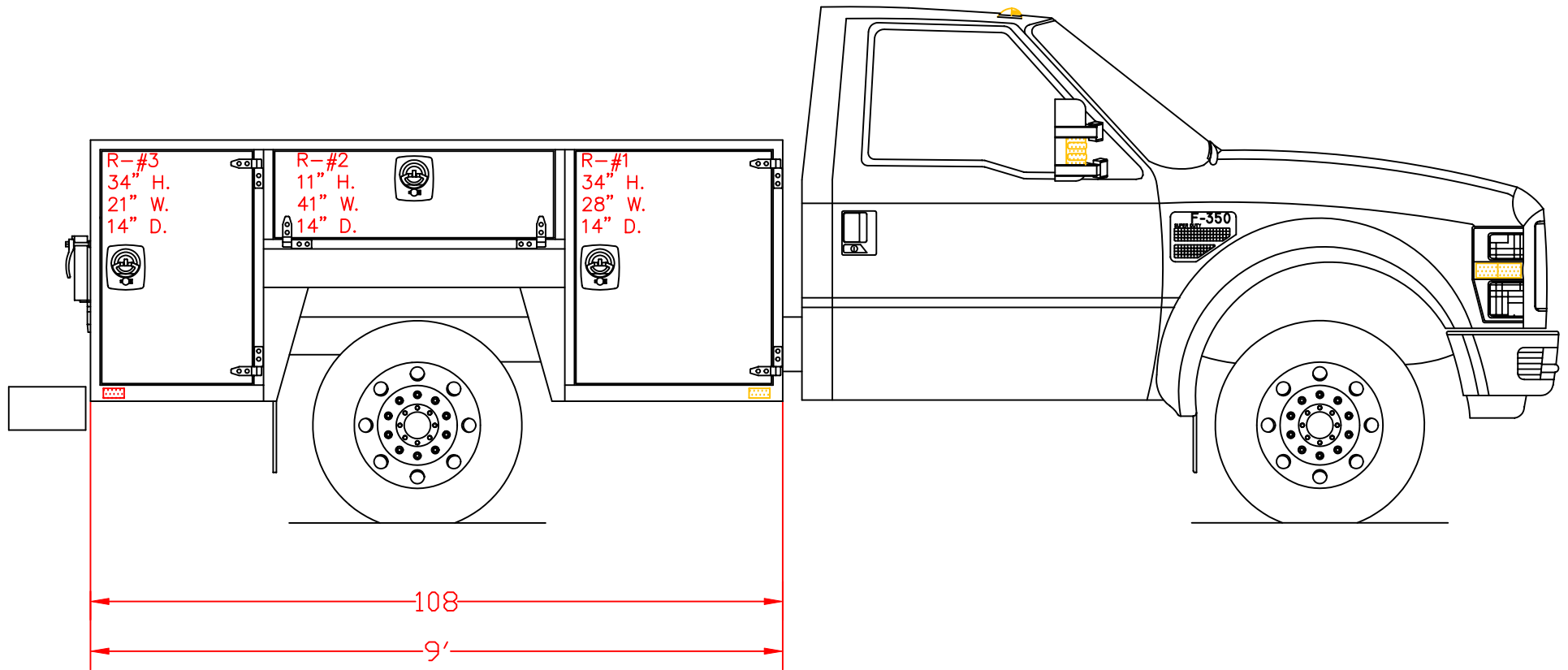
REVISION:

Maintainer Custom Bodies, Inc.

909 So. East St.
Rock Rapids, Ia. 51246

800-843-4288 Toll Free
712-472-4725 Phone

PROPOSAL FOR:



CUSTOMER APPROVED BY:

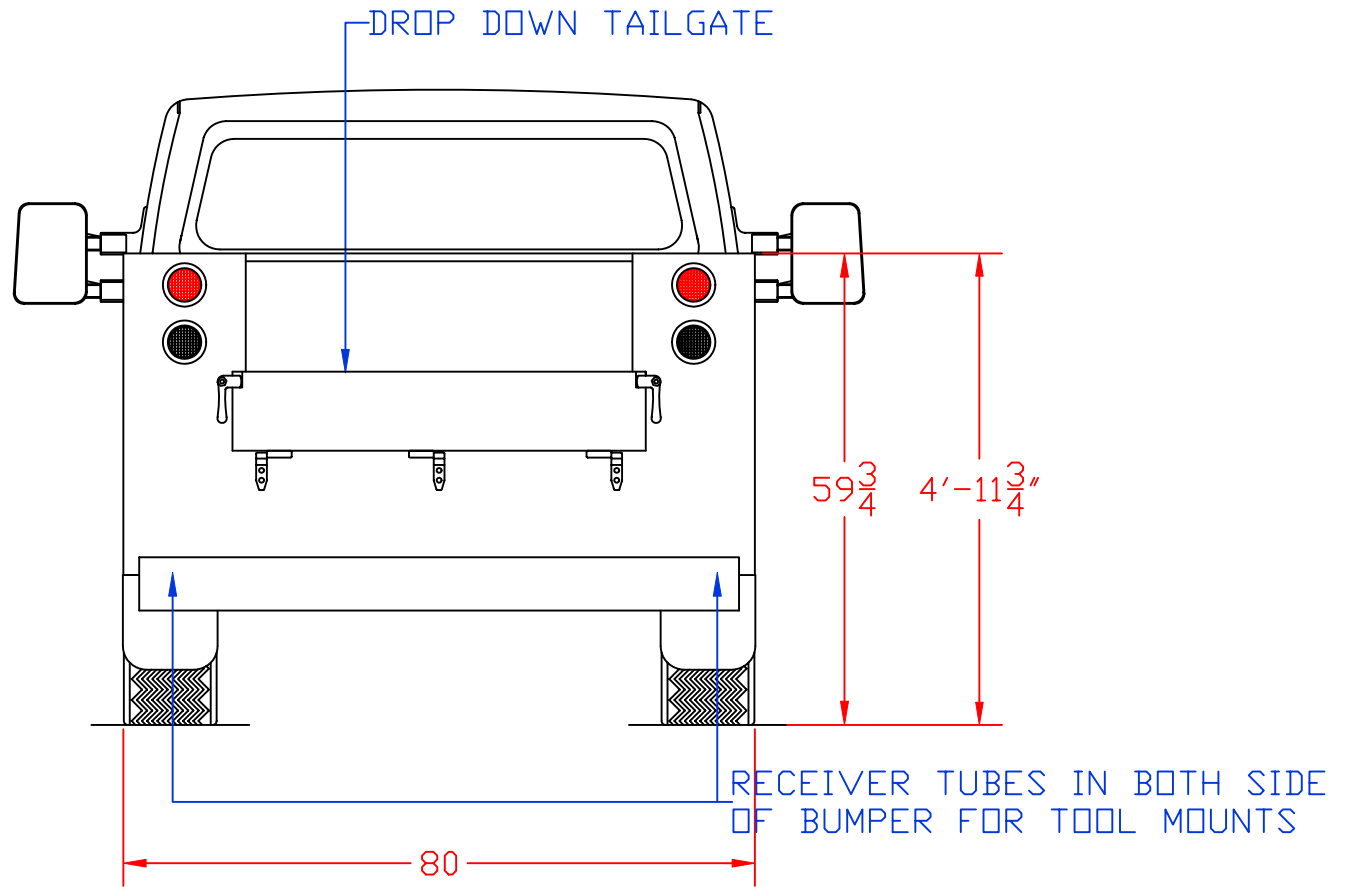
VEHICLE TYPE: UTILITY	CHASSIS: FORD F-350 SINGLE WHEEL
VIEW: CURBSIDE	BODY MAT'L: ALUMINUM
SCALE: NTS	BODY LENGTH: 108"
DRAWN BY: NRW	APPROVED BY: M.P.
DATE: 7/2/2008	BODY STYLE:
DWG NO.: MCBUTILITY	REVISION:

Maintainer Custom Bodies, Inc.

909 So. East St.
Rock Rapids, Ia. 51246

800-843-4288 Toll Free
712-472-4725 Phone

PROPOSAL FOR:



CUSTOMER APPROVED BY:

VEHICLE TYPE: UTILITY

VIEW: REAR

SCALE: NTS

DRAWN BY: NRW

DATE: 7/2/2008

DWG NO.: MCBUTILITY

CHASSIS: FORD F-350 SINGLE WHEEL

BODY MAT'L: ALUMINUM

BODY LENGTH: 108"

APPROVED BY: MP

BODY STYLE:

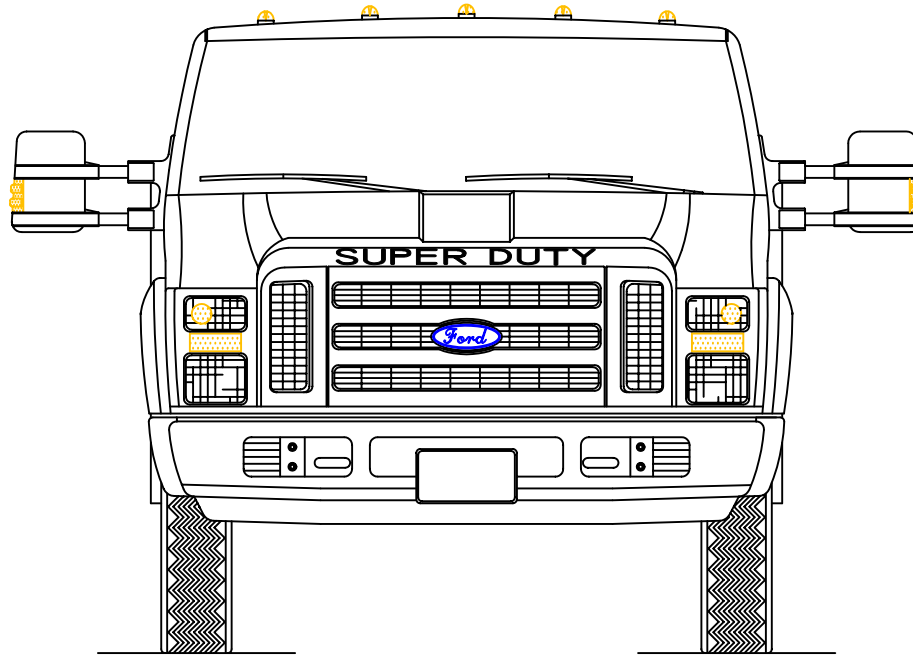
REVISION:

Maintainer Custom Bodies, Inc.

909 So. East St.
Rock Rapids, Ia. 51246

800-843-4288 Toll Free
712-472-4725 Phone

PROPOSAL FOR:

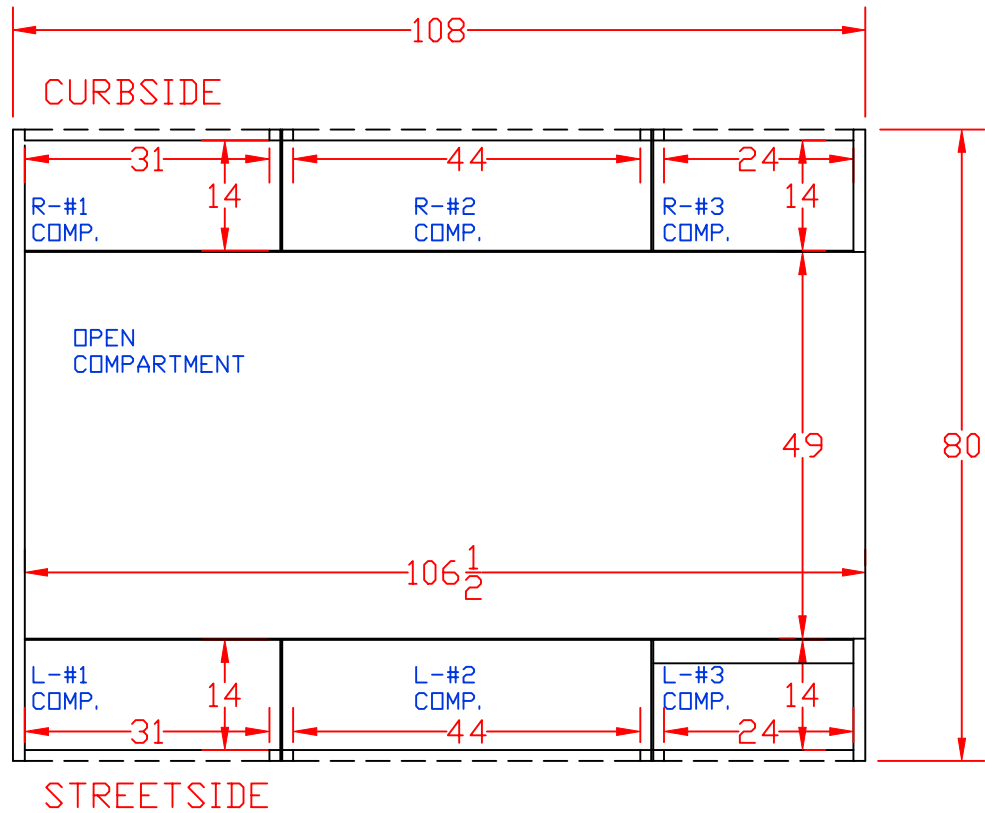


CUSTOMER APPROVED BY: _____

VEHICLE TYPE: UTILITY	CHASSIS: FORD F-350 SINGLE WHEEL
VIEW: FRONT	BODY MAT'L: ALUMINUM
SCALE: NTS	BODY LENGTH: 108"
DRAWN BY: NRW	APPROVED BY: MP
DATE: 7/2/2008	BODY STYLE:
DWG NO.: MCBUTILITY	REVISION:

Maintainer Custom Bodies, Inc.
 909 So. East St. 800-843-4288 Toll Free
 Rock Rapids, Ia. 51246 712-472-4725 Phone

PROPOSAL FOR:

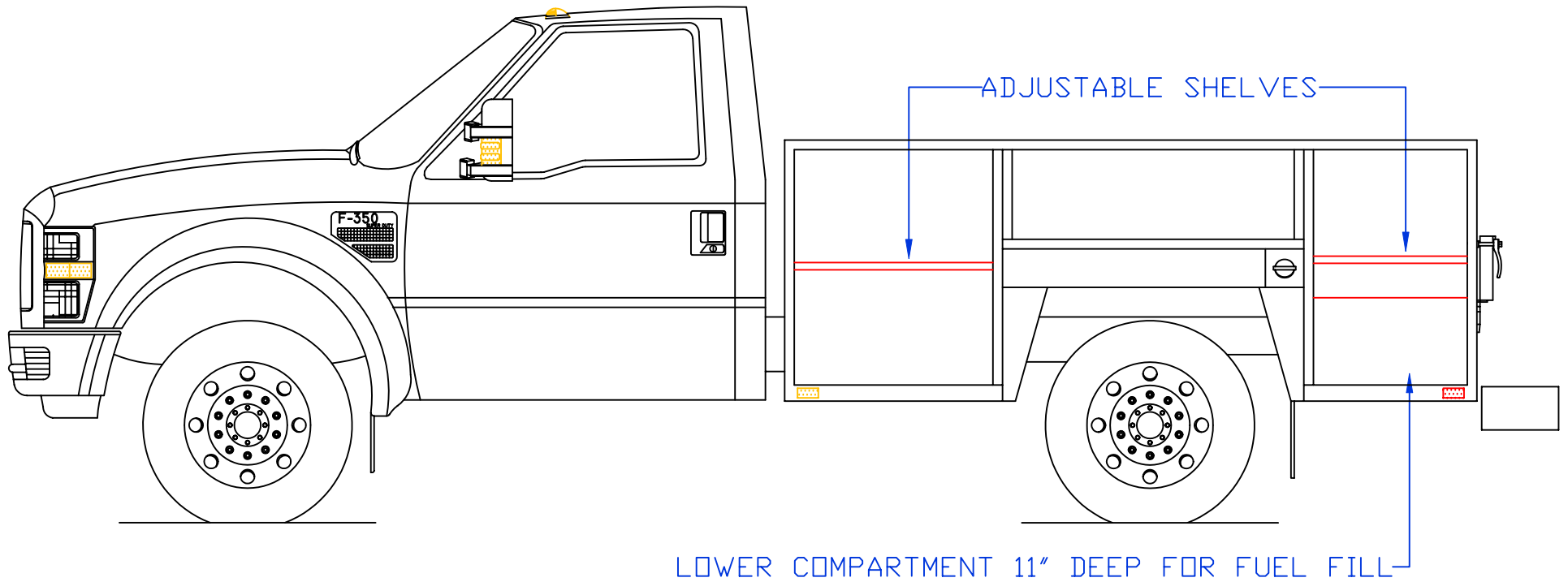


CUSTOMER APPROVED BY: _____

Maintainer Custom Bodies, Inc.
 909 So. East St. 800-843-4288 Toll Free
 Rock Rapids, Ia. 51246 712-472-4725 Phone

VEHICLE TYPE: UTILITY	CHASSIS: FORD F-350 SINGLE WHEEL
VIEW: TOP	BODY MAT'L: ALUMINUM
SCALE: NTS	BODY LENGTH: 108"
DRAWN BY: NRW	APPROVED BY: MP
DATE: 7/2/2008	BODY STYLE:
DWG NO.: MCBUTILITY	REVISION:

PROPOSAL FOR:



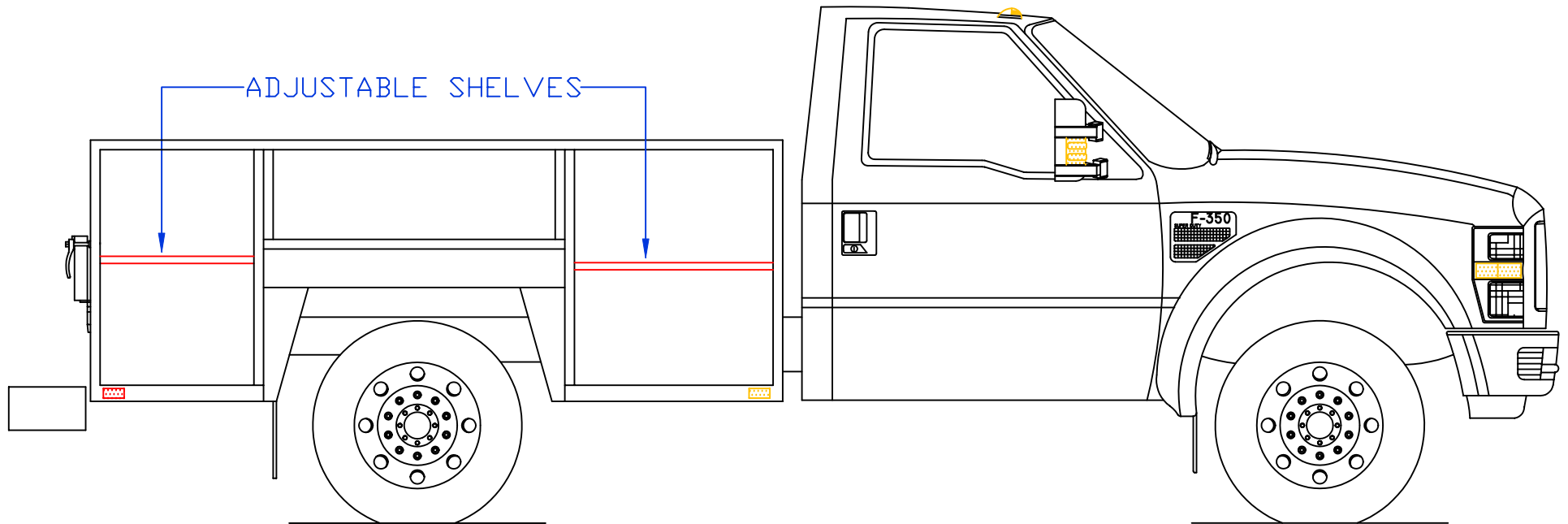
LOWER COMPARTMENT 11" DEEP FOR FUEL FILL

Maintainer Custom Bodies, Inc.
 909 So. East St. 800-843-4288 Toll Free
 Rock Rapids, Ia. 51246 712-472-4725 Phone

CUSTOMER APPROVED BY:

VEHICLE TYPE: UTILITY	CHASSIS: FORD F-350 SINGLE WHEEL
VIEW: STREETSIDE COMPARTMENT LAYOUT	BODY MAT'L: ALUMINUM
SCALE: NTS	BODY LENGTH: 108"
DRAWN BY: NRW	APPROVED BY: MP
DATE: 7/2/2008	BODY STYLE:
DWG NO.: MCBUTILITY	REVISION:

PROPOSAL FOR:



ADJUSTABLE SHELVES

CUSTOMER APPROVED BY:

VEHICLE TYPE: UTILITY	CHASSIS: FORD F-350 SINGLE WHEEL
VIEW: CURBSIDE COMPARTMENT LAYOUT	BODY MAT'L: ALUMINUM
SCALE: NTS	BODY LENGTH: 108"
DRAWN BY: NRW	APPROVED BY: MP
DATE: 7/2/2008	BODY STYLE:
DWG NO.: MCBUTILITY	REVISION:

Maintainer Custom Bodies, Inc.

909 So. East St.
Rock Rapids, Ia. 51246

800-843-4288 Toll Free
712-472-4725 Phone

PROPOSAL FOR: