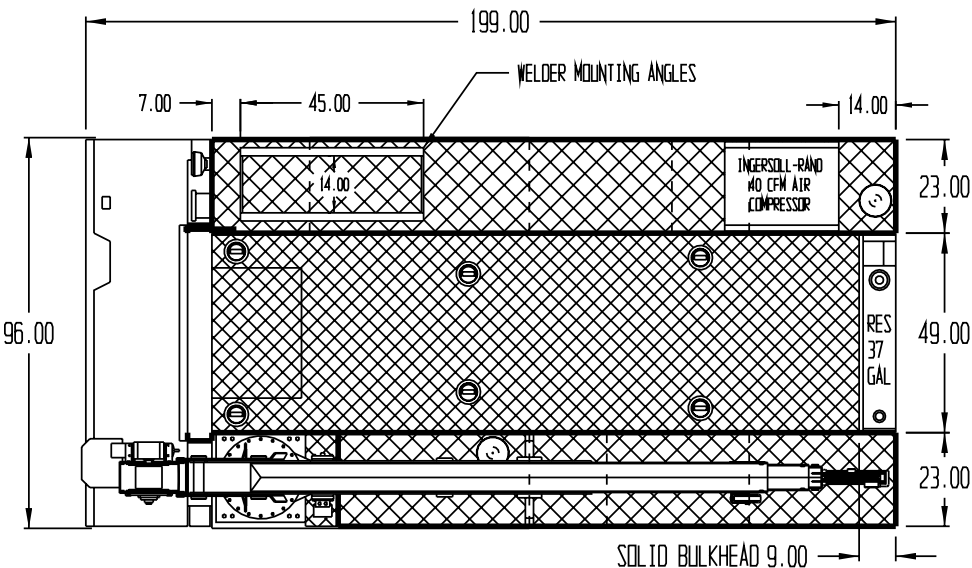
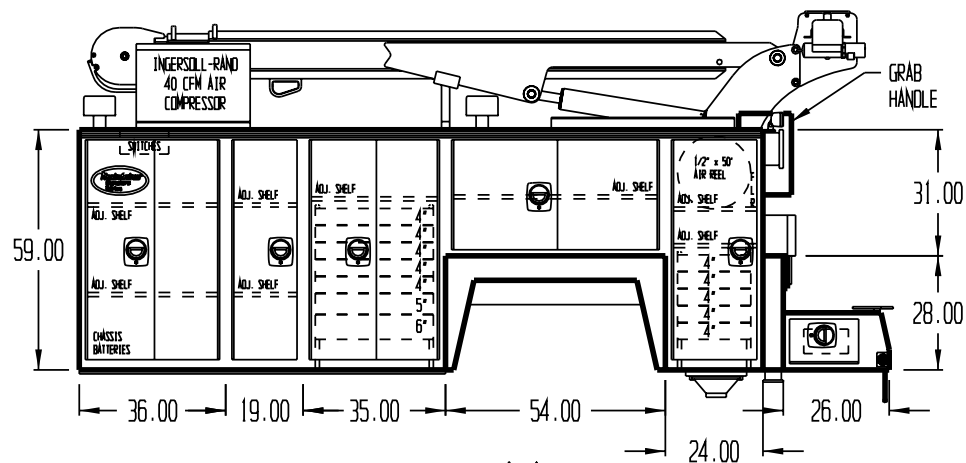
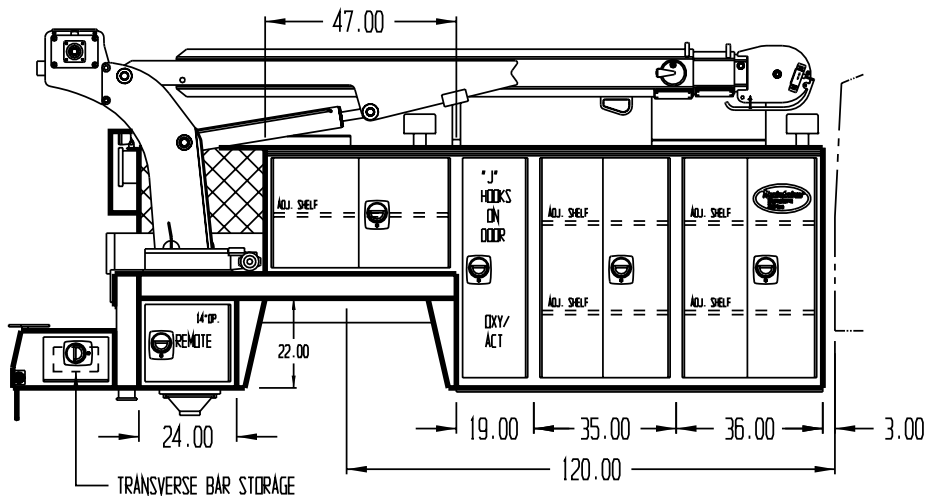


APPROVED BY _____

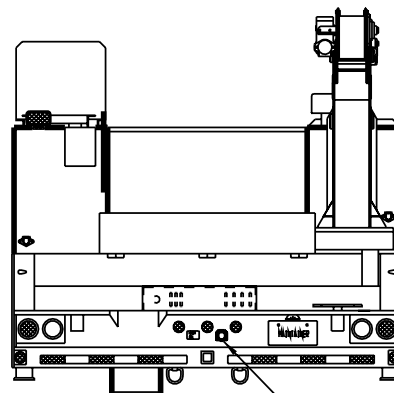
DATE _____

PAINT CODE _____

YZ OXFORD WHITE



NOTE: 20 GALLON AIR STORAGE IN CHASSIS FRAME



NOTE: INTERIOR STRIP LIGHTING SS 1, 2, 3, 4, 5 & CS 1, 2, 3, 4

NOTE: PROTECTIVE SPRAY COVERING ON: CARGO CENTER DECK, COMPARTMENT TOPS, SIDES & LOWER FRONTS, FRONT BULKHEAD, TAIL GATE, & TAIL GATE EXTENSION, REAR WORK BENCH BUMPER, AND STEP

NOTE: USABLE CENTER DECK CARGO WIDTH 48.50"

NOTE: 8" SILLS & 4" X-MEMBERS

PLEASE REPORT ANY ERRORS FOUND ON THIS PRINT

THIS PRINT CONTAINS CONFIDENTIAL INFORMATION AND IS THE SOLE PROPERTY OF MAINTAINER CORP. OF IOWA INC. AND IS NOT TO BE COPIED OR REPRODUCED WITHOUT THE EXPRESSED WRITTEN PERMISSION OF MAINTAINER CORP. OF IOWA INC.		PROPRIETARY DATA PROPERTY OF MAINTAINER CORPORATION OF IOWA, INC.	
COPYRIGHT © 2000		MATERIAL:	
THIS DIMENSIONS ARE IN INCHES		SCALE: 1:32	
GENERAL TOLERANCES		SIZE: B	
BREAK ALL EDGES .01 X 45°	ANGULAR ± 1° .XX ± .03 .XXX ± .005	DRAWING NUMBER: SIG-3	
LOS RADII	LOS ANGLES	DFTM. STZ	
MADE IN THE USA		DATE: 4/2/09	
10000TT-2-120		SIGNATURE-3	

Maintainer
 Corporation of Iowa, Inc.
 P.O. Box 349 1701 S. 2nd Avenue
 Sheldon, Iowa 51201