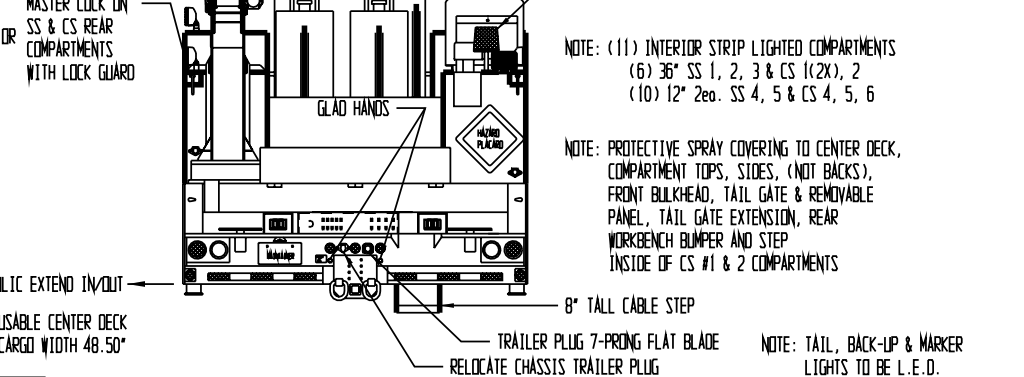
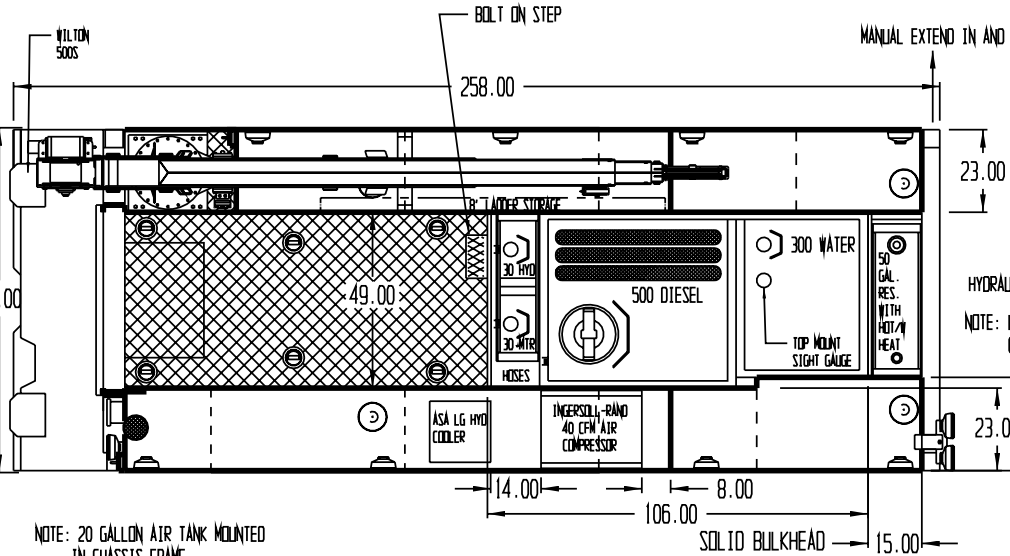
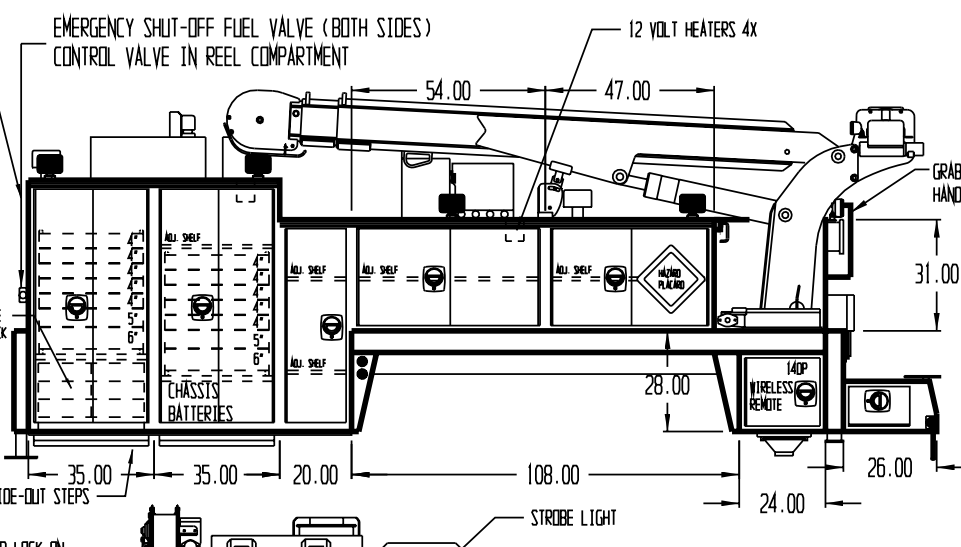
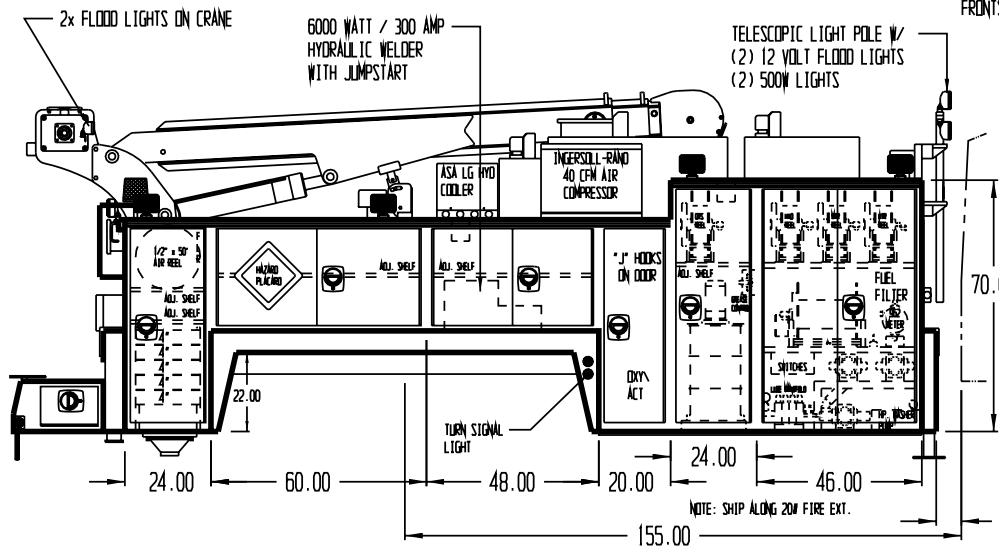


APPROVED BY: _____

DATE: _____

PAINT CODE: L0001EB BLACK



NOTE: (11) INTERIOR STRIP LIGHTED COMPARTMENTS
 (6) 36" SS 1, 2, 3 & CS 1(2X), 2
 (10) 12" 2eo. SS 4, 5 & CS 4, 5, 6

NOTE: PROTECTIVE SPRAY COVERING TO CENTER DECK,
 COMPARTMENT TOPS, SIDES, (NOT BACKS),
 FRONT BULKHEAD, TAIL GATE & REMOVABLE
 PANEL, TAIL GATE EXTENSION, REAR
 WORKBENCH BUMPER AND STEP
 INSIDE OF CS #1 & 2 COMPARTMENTS

NOTE: TAIL, BACK-UP & MARKER
 LIGHTS TO BE L.E.D.

PLEASE REPORT ANY ERRORS FOUND ON THIS PRINT

THIS PRINT CONTAINS CONFIDENTIAL INFORMATION AND IS THE SOLE PROPERTY OF MAINTAINER CORP. OF IOWA INC. AND IS NOT TO BE COPIED OR REPRODUCED WITHOUT THE EXPRESSED WRITTEN PERMISSION OF MAINTAINER CORP. OF IOWA INC.		PROPRIETARY DATA PROPERTY OF MAINTAINER CORPORATION OF IOWA, INC. COPYRIGHT © 2001	
LIDS DIMENSIONS ARE IN INCHES GENERAL TOLERANCES		MATERIAL:	
BREAK ALL EDGES .01 X 45°	ANGULAR ± 1° .XX ± .03 .XXX ± .005	SCALE: 1:36	SIZE: B
LIDS RADI	LIDS ANGLES	DRAWING NUMBER: Y337-3	DFTM. KJB DATE: 1-29-08
MADE IN THE USA		14000TT-2-156	HEWS / MAVERICK