

# Maintainer

## Z239k

### Standard Features -

- Galvannealed body to resist corrosion including body shell (12 ga), bulkhead, wheel skirting and all exterior sheeting / Aluminum doors (3/16" thick)
- Cabinet floor reinforcement w/ clean-out drains
- Three point D-ring door latches w/ gas shock door holders
- Adjustable shelving package
- 49" Wide center deck overlaid with deck plating
- 10" Swing-down tailgate
- 12" Deep, full body width, step bumper w/ 2" square frame hitch receiver rated at Class IV (1,500 lb vert & 10,000 lb MGTW) and 7-prong flat blade (RV style) trailer plug
- Fuel fill recessed into body side rail (1-ton only)
- Body primed, undercoated and includes back-up alarm
- I.C.C. round recessed LED lights, reflectors, mud flaps and rear body grab handles
- Mini I.C.C. Safety kit - 2 1/2 pound ABC fire extinguisher & hazard reflectors
- 1 MTS-2-084, 59" High X 23" Deep Compartments, 11' Long Body,
- 12 Ga. body, 54" x 28" wheel well opening / installed on chassis
- 1 Adder for 1 or 2 ton service body "Tall Tower Crane" reinforcement structure of body

NOTE: For individual crane equipment & accessory items ie. adj. boom saddle, outrigger pkgs., body leveling pkgs., hyd. pkgs. to operate a crane or other hyd. drive components - Contact Factory

### - Hydraulic Cranes (Tall or Short Tower) -

- All cranes include a closed center load sensing hydraulic power package consist of a PTO, CC/LS pump, oil reservoir w/ in-tank filter-vented fill cap - sight gauge - suction screen & ball valve, 33 foot remote control w/ proportional trigger & engine start/stop, hydraulic fully extend boom, anti-two block system, overload protection, holding valves, adjustable boom saddle and body spring leveling package (note if air suspension customer will be required to have chassis OEM to provide dual-control)
- 1 Crane 10,000 lb. max. capacity w/ hydraulic extend hex-boom 12' to 24' w/ 2 - rear hydraulic up/down & 1 - hydraulic out crane side outriggers

### - Chassis Equipment & Accessories -

- 1 Add charge to std PTO for Allison auto transmission in lieu of std manual
- 1 Electronic engine spd. control - computer set - electronic engine
- 1 Exhaust modify on F650 & F750 chassis to not require body notch
- 1 Delete springs added to chassis suspension - reinforce for crane

### - Compressor Equipment & Accessories -

- 1 Ingersoll-Rand VHP40RMH hydraulic driven recip. air compressor / 2-stage w/ 20 gallon air tank / 40 CFM @ 100 PSI / 40 CFM @ 150 PSI includes cover / hydraulic oil cooler build into assembly
- 1 Air accessory package - filter / lubricator / regulator
- 1/2" X 50' spring rewind reel, hose & ball stop
- 1 Hose reel access out rear compartment

### - Compartment Equipment & Accessories -

- 1 Oxy/Act bottle storage w/ratchet strap, vents, "J" hks. & re/flr.
- 1 2-blowers w/filters for pressurized storage system (PSS)

### - Lighting / Electrical Equipment & Accessories -

- 1 Exterior 12 v. lighting pkg. (halogen) 1-permanent & 1-remote
- 6 Interior 12 v. strip light



**- Painting Equipment & Accessories -**

1 Paint body complete - one solid urethane color / List color:

Note: Due to variations in OEM paint products and application methods, Maintainer cannot guarantee a perfect paint match on colors or metallic.

Note: For metallic or clear coat/base coat paint additional charges will be required and are not included in this quote unless shown

1 Protective spray covering - cargo center deck, compartment tops & sides, front bulkhead, tail gate & extension, bumper and/or workbench area

**- Roll-out Drawer and Tray Equipment & Accessories -**

1 EZ Latch Aluma (5) drawer std. set (125 lb. cap. Ea.) 18"W x 18"D x (5)-4"H, overall height 29" / 1 F-B divider & 4 S-S adj. Dividers

1 EZ Latch Aluma (7) drawer HD set (250 lb. cap. Ea.) 29"W x 18"D x (1)-6", (1)-5", (5)-4"H, overall height 40.5" / 2 F-B dividers & 6 SS adj. Dividers

**- Center Deck Equipment & Accessories -**

4 Flush mount "D" ring tie-downs in bed floor, each

**- Rear Bumper Equipment & Accessories -**

1 26" workbench bumper with 2-side storage compartments includes 2" square frame hitch receiver and round recessed tail & marker lights

1 Transverse bar storage comp. in workbench bumper

**- Miscellaneous Equipment & Accessories -**

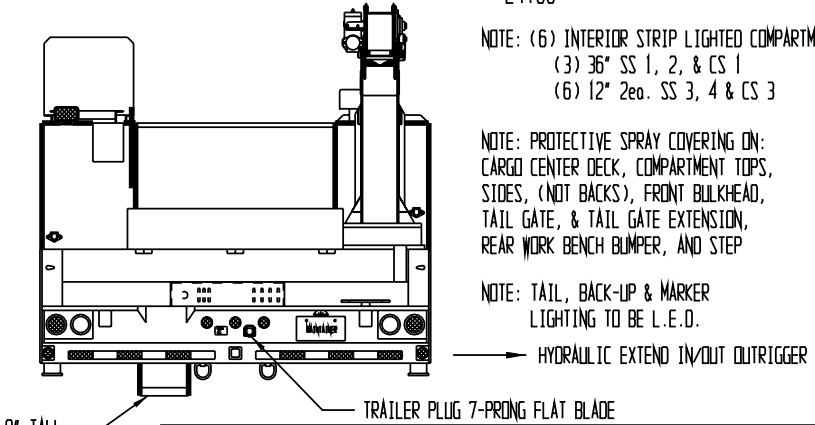
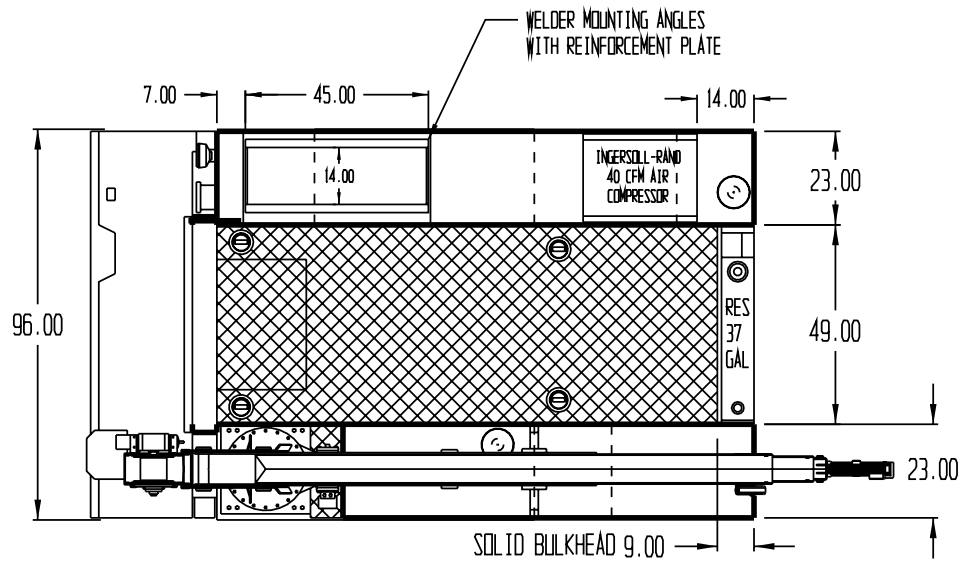
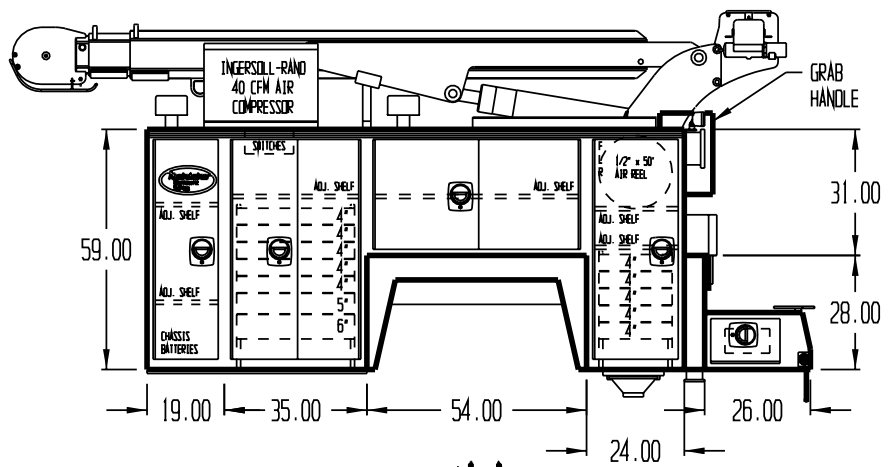
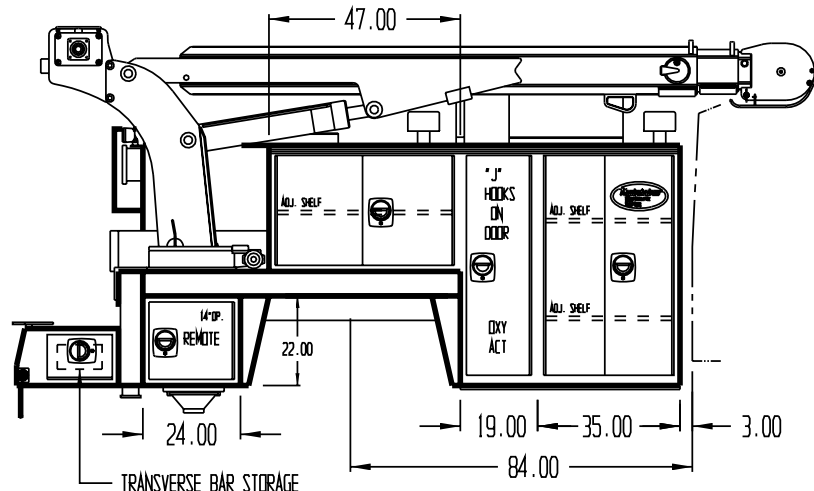
1 Vise / grinder removable mounting plate

1 Welder mounting angles for top of compartment installation

APPROVED BY \_\_\_\_\_

DATE \_\_\_\_\_

PAINT CODE \_\_\_\_\_



NOTE: (6) INTERIOR STRIP LIGHTED COMPARTMENTS  
 (3) 36" SS 1, 2, & CS 1  
 (6) 12" 2ea. SS 3, 4 & CS 3

NOTE: PROTECTIVE SPRAY COVERING ON:  
 CARGO CENTER DECK, COMPARTMENT TOPS,  
 SIDES, (NOT BACKS), FRONT BULKHEAD,  
 TAIL GATE, & TAIL GATE EXTENSION,  
 REAR WORK BENCH BUMPER, AND STEP

NOTE: TAIL, BACK-UP & MARKER  
 LIGHTING TO BE L.E.D.

NOTE: 20 GALLON AIR STORAGE  
 IN CHASSIS FRAME

NOTE: USABLE CENTER DECK  
 CARGO WIDTH 48.50"

NOTE: 8" SILLS &  
 4" X-MEMBERS

PLEASE REPORT ANY ERRORS FOUND ON THIS PRINT

THIS PRINT CONTAINS CONFIDENTIAL INFORMATION AND IS THE  
 SOLE PROPERTY OF MAINTAINER CORP. OF IOWA INC. AND IS  
 NOT TO BE COPIED OR REPRODUCED WITHOUT THE EXPRESSED  
 WRITTEN PERMISSION OF MAINTAINER CORP. OF IOWA INC.

PROPRIETARY DATA PROPERTY OF  
 MAINTAINER CORPORATION OF IOWA, INC.  
 COPYRIGHT © 2000

LOS DIMENSIONS ARE IN INCHES GENERAL TOLERANCES		MATERIAL:	
BREAK ALL EDGES .01 X 45°	ANGULAR ± 1° .XX ± .03 .XXX ± .005	SCALE: 1:32	SIZE: B
LOS RADI	LOS ANGLES	DRAWING NUMBER: Z239K	DFTM. STZ

**Thaintainer**  
 Corporation of Iowa, Inc.  
 P.O. Box 349 1701 S. 2nd Avenue  
 Sheldon, Iowa 51201

DATE: 4/7/08

MADE IN THE  
**USA**

10000TT-2-084 STOCK / SIGNATURE-2