

# Maintainer

## - Standard Features -

- Galvannealed body to resist corrosion including body shell (12 ga), bulkhead, wheel skirting and all exterior sheeting / Aluminum doors (3/16" thick)
- Cabinet floor reinforcement w/ clean-out drains
- Three point D-ring door latches w/ gas shock door holders
- Adjustable shelving package
- 49" Wide center deck overlaid with deck plating
- 10" Swing-down tailgate
- 12" Deep, full body width, step bumper w/ 2" square frame hitch receiver rated at Class IV (1,500 lb vert & 10,000 lb MGTW) and 7-prong flat blade (RV style) trailer plug
- Fuel fill recessed into body side rail (1-ton only)
- Body primed, undercoated and includes back-up alarm
- I.C.C. round recessed lights, reflectors, mud flaps and rear body grab handles
- Mini I.C.C. Safety kit - 2 1/2 pound ABC fire extinguisher & hazard reflectors

- 1 MTS-2-084, 59" High X 23" Deep Compartments, 11' Long Body, 12 Ga. body, 54" x 28" wheel well opening / installed on chassis
- 1 Adder for 1 or 2 ton service body "Tall Tower Crane" reinforcement structure of body

NOTE: For individual crane equipment & accessory items ie. adj. boom saddle, outrigger pkgs., body leveling pkgs., hyd. pkgs. to operate a crane or other hyd. drive components - Contact Factory

- 3 Feet of "Standard Compartment" for C-A=120"

## - Hydraulic Cranes (Tall or Short Tower) -

All cranes include a closed center load sensing hydraulic power package consist of a PTO, CC/LS pump, oil reservoir w/ in-tank filter-vented fill cap - sight gauge - suction screen & ball valve, 33 foot remote control w/ proportional trigger & engine start/stop, hydraulic fully extend boom, anti-two block system, overload protection, holding valves, adjustable boom saddle and body spring leveling package (note if air suspension customer will be required to have chassis OEM to provide dual-control)

- 1 Crane 10,000 lb. max. capacity w/ hydraulic extend hex-boom 12' to 24' w/ 2 - rear hydraulic up/down & 1 - hydraulic out crane side outriggers

## - Chassis Equipment & Accessories -

- 1 PTO for Allison auto transmission in lieu of std manual
- 1 Electronic engine spd. control - computer set - electronic engine
- 1 Exhaust modify on F650 & F750 chassis to not require body notch
- 1 Shorten chassis C-A on single axle
- 1 Wheel Simulators

## - Compressor Equipment & Accessories -

- 1 Model VHP40RMH hydraulic driven recip. air compressor / two-stage w/ 20 gallon air tank / 40 CFM @ 100 PSI / 40 CFM @ 150 PSI includes cover / hydraulic oil cooler build into assembly
- 1 Air accessory package - filter / lubricator / regulator 1/2" X 50' spring rewind reel, hose & ball stop

# Maintainer

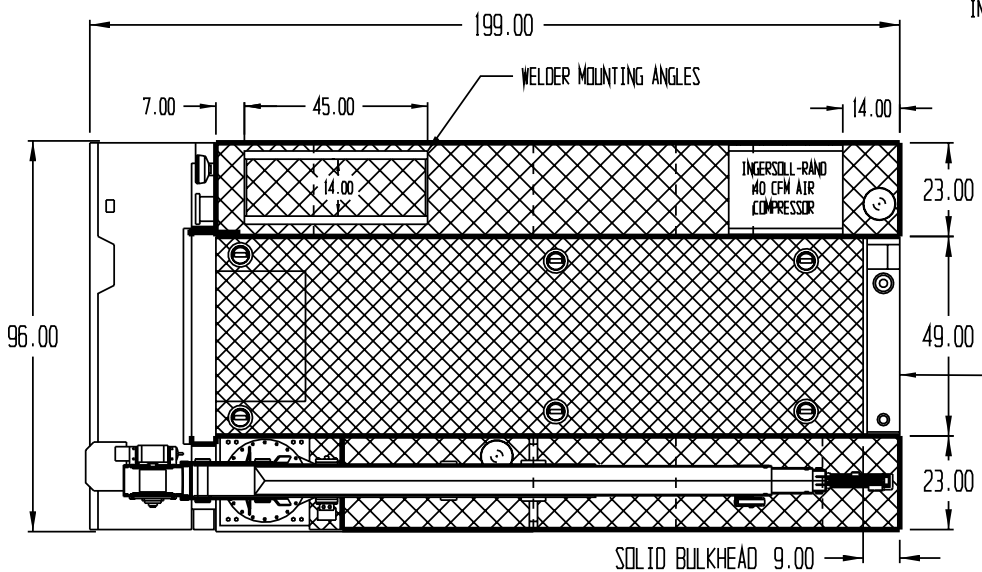
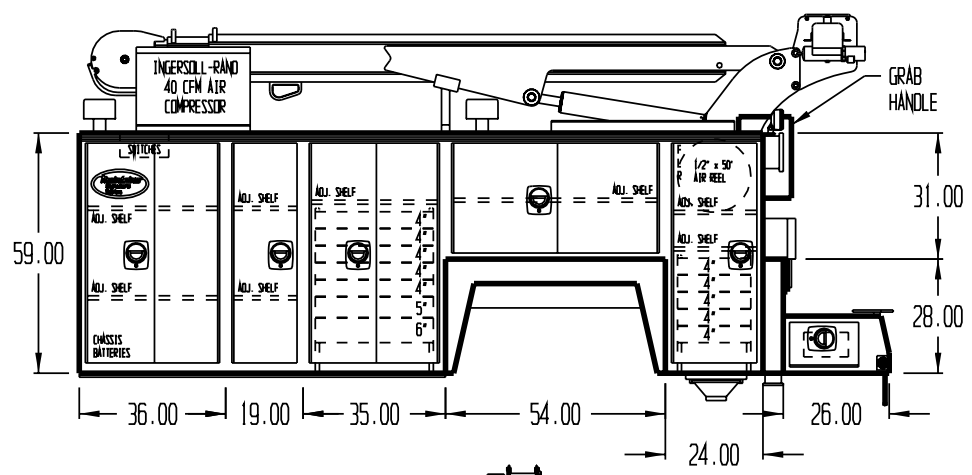
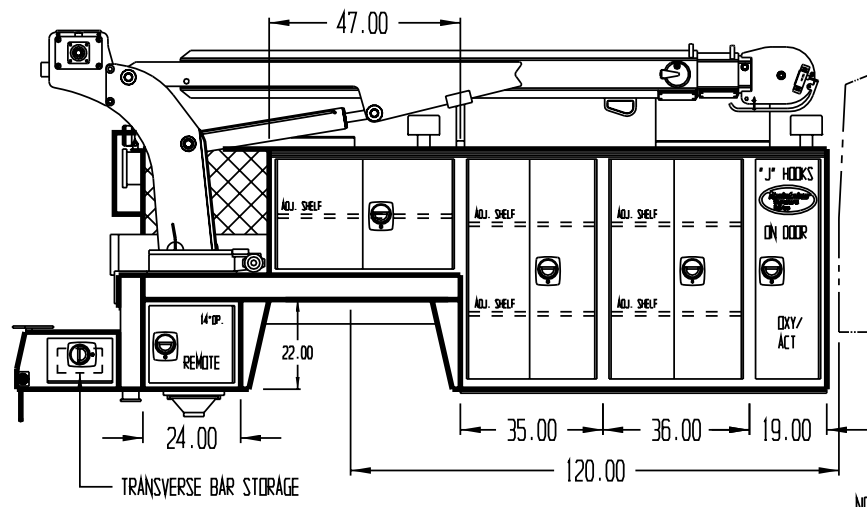
- 1 Hose reel access out rear compartment
  - Compartment Equipment & Accessories -
  - 1 Oxy/Act bottle storage w/ratchet strap, vents, "J" hks. & re/flr.
  - 1 2-blowers w/filters for pressurized storage system (PSS)
  - 1 Deck plate overlaid compartments
  - Lighting Equipment & Accessories -
  - 1 Exterior 12 v. lighting pkg. (halogen) 1-permanent & 1-remote
  - 8 Interior 12 v. strip light
  - Painting Equipment & Accessories -
  - 1 Paint body complete - one solid urethane color / List color:
    - Note: Due to variations in OEM paint products and application methods, Maintainer cannot guarantee a perfect paint match on colors or metallic.
    - Note: For metallic or clear coat/base coat paint additional charges will be required and are not included in this quote unless shown
  - 1 Line-X protective spray covering - cargo center deck, compartment tops & sides, front bulkhead, tail gate & extention, bumper and/or workbench area
  - Roll-out Drawer and Tray Equipment & Accessories -
  - 1 EZ Latch Aluma (5) drawer std. set (125 lb. cap. Ea.) 18"W x 18"D x (5)-4"H, overall height 29" / 1 F-B divider & 4 S-S adj. Dividers
  - 1 EZ Latch Aluma (7) drawer HD set (250 lb. cap. Ea.) 29"W x 18"D x (1)-6", (1)-5", (5)-4"H, overall height 40.5" / 2 F-B dividers & 6 SS adj. Dividers
  - Center Deck Equipment & Accessories -
  - 6 Flush mount "D" ring tie-downs in bed floor, each
  - Rear Bumper Equipment & Accessories -
  - 1 26" workbench bumper with 2-side storage compartments includes
    - 2" square frame hitch receiver and round recessed tail & marker lights
  - 1 Transverse bar storage compt. in workbench bumper
  - Miscellaneous Equipment & Accessories -
  - 1 Vise / grinder removable mounting plate
  - 1 Welder mounting angles for top of compartment installation

APPROVED BY \_\_\_\_\_

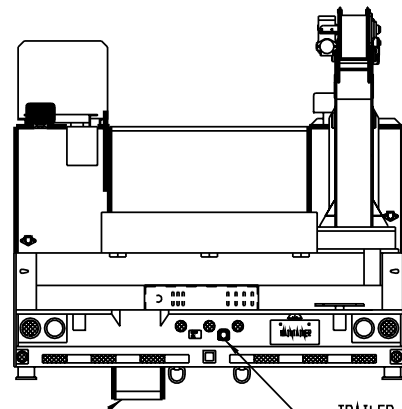
DATE \_\_\_\_\_

PAINT CODE \_\_\_\_\_

YZ OXFORD WHITE



NOTE: 20 GALLON AIR STORAGE IN CHASSIS FRAME



NOTE: (8) INTERIOR STRIP LIGHTED COMPARTMENTS  
(5) 36" SS 1, 2, 3 & CS 2, 3  
(6) 12" 2ea. SS 4, 5 & CS 4

NOTE: LINE-X CARGO CENTER DECK, COMPARTMENT TOPS, SIDES, (NOT BACKS), FRONT BULKHEAD, TAIL GATE & TAIL GATE EXTENSION, REAR WORK BENCH BUMPER AND STEP

→ HYDRAULIC EXTEND IN/OUT

OIL RES. 37 GALLON

8" TALL BOLT-ON STEP

NOTE: USABLE CENTER DECK CARGO WIDTH 48.50"

NOTE: 8" SILLS & 4" X-MEMBERS

PLEASE REPORT ANY ERRORS FOUND ON THIS PRINT

THIS PRINT CONTAINS CONFIDENTIAL INFORMATION AND IS THE SOLE PROPERTY OF MAINTAINER CORP. OF IOWA INC. AND IS NOT TO BE COPIED OR REPRODUCED WITHOUT THE EXPRESSED WRITTEN PERMISSION OF MAINTAINER CORP. OF IOWA INC.		PROPRIETARY DATA PROPERTY OF MAINTAINER CORPORATION OF IOWA, INC. <b>COPYRIGHT © 2000</b>	
LOIS DIMENSIONS ARE IN INCHES GENERAL TOLERANCES		MATERIAL:	
BREAK ALL EDGES .01 X 45°	ANGULAR ± 1° .XX ± .03 .XXX ± .005	SCALE: 1:32	SIZE: B
LOIS RADI	LOIS ANGLES	DRAWING NUMBER: Z085	DFTM. STZ
MADE IN THE USA		10000TT-2-120	SIGNATURE-3
		DATE: 12/14/07	

**Maintainer**  
Corporation of Iowa, Inc.  
P.O. Box 349 1701 S. 2nd Avenue  
Sheldon, Iowa 51201