

34' HYDRAULIC REACH

10,000 LB.
MAXIMUM
75,000 ft-lb
CAPACITY

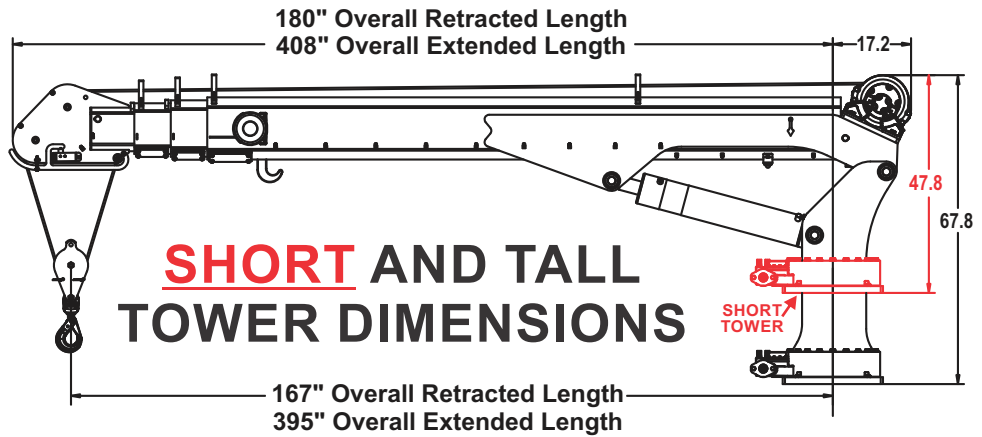


Maintainer

H10034 CRANE

www.maintainer.com
800-831-8588

specifications



- 2486 lbs. (998 KGS)
- 22" x 22" Mounting Space Required
- Mounting requires (8) 7/8-9 (GRD-8) bolts
- Hydraulic Requirements: 10-12 GPM@3000 PSI

ratings

features



- 10,000 lb. max. capacity
- 75,000 ft-lb capacity
- 34' hydraulic reach
- Advanced Crane Control- standard
- Boom-Mounted planetary winch
- Dual part line standard - single part capable
- Total operational range 91° (-13 to +78)
- Low profile double sheave design
- Anti-Two block
- User-Friendly load block storage
- 140' of 3/8" diameter wire rope
- 615° of rotation
- Hexagonal boom
- Tall and short tower configurations
- Closed-center/load sensing hydraulic system (*open center optional*)
- OSHA 1910.180/ANSI B30.5 compliant
- Planetary winch - standard
- Wireless remote - standard

H10034 CRANE CAPACITY CHART

HYDRAULIC EXTENSION TO 34'

75,000 FT*LB CRANE RATING

MAX SINGLE LINE CAPACITY IS 5000 LBS (2268 KG)
FOR GREATER LOADS USE 2 PART LINE
OUTRIGGERS MUST BE EXTENDED AND DOWN

CAPACITIES ARE IN LBS(*KGS.)

DEDUCT FROM CAPACITIES THE WEIGHTS OF LOAD HANDLING DEVICES

