

EH OUTRIGGERS

and Accessories

**THREE
MODELS
TO
CHOOSE
FROM**

- **Manual Crank Up/Down - Manual Out**
- **Hydraulic Up/Down - Manual Out**
- **Hydraulic Up/Down - Hydraulic Out**



For Use With All Of Our Electric/Hydraulic Cranes:

EH/H3516	15,000 ft*lb rating	16' reach	3,500 lb. max lift
EH/H4520	20,000 ft*lb rating	20' reach	4,500 lb. max lift
EH/H5520	30,000 ft*lb rating	20' reach	5,500 lb. max lift

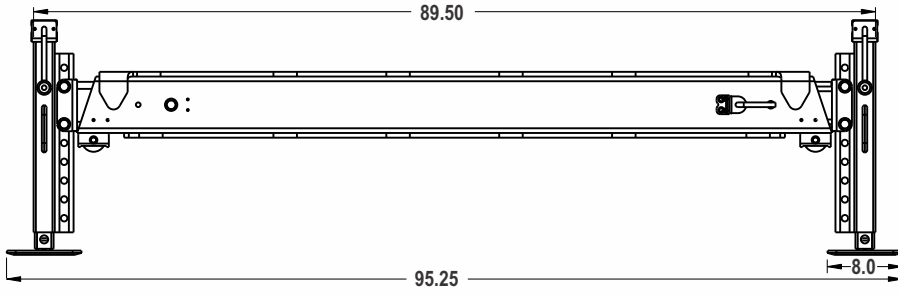
Easily configured for curb-side or street-side cranes

Maintainer

800-831-8588 | www.maintainer.com

SPECIFICATIONS

Bolt to chassis using supplied channels, or weld to flatbed/service body

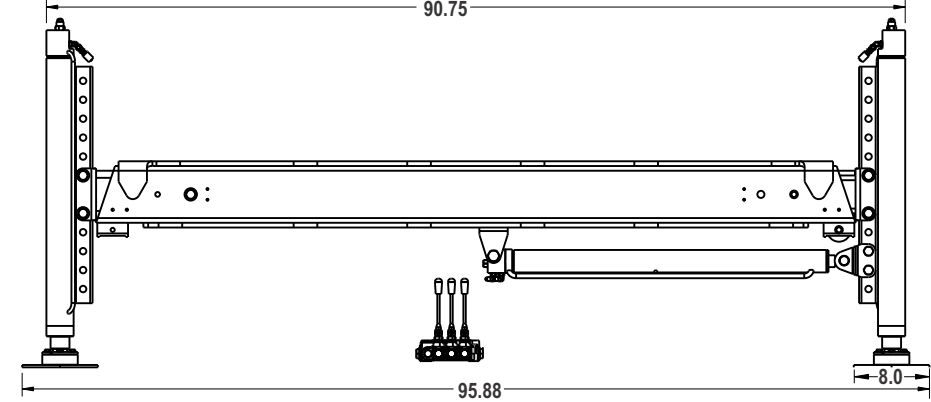
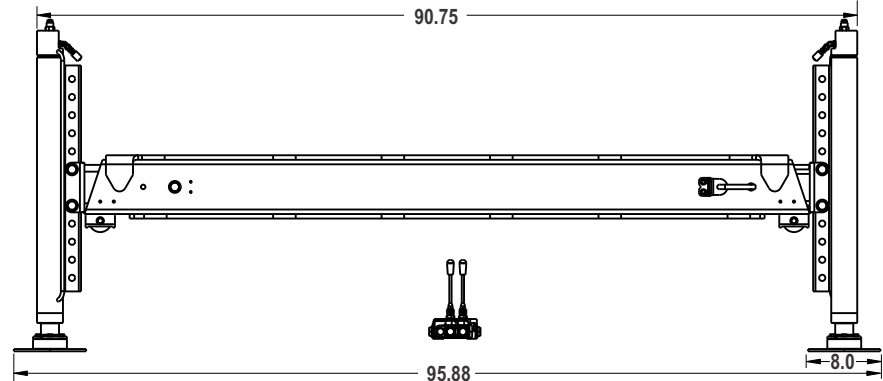


**Manual Crank Up/Down
Manual Out
Model #024102**

- Rated to 30,000 ft*lb
- Weight - 383 lbs
- Vertical stroke 28"
- Extends out to 30"

**Hydraulic Up/Down
Manual Out
Model #024105**

- Rated to 30,000 ft*lb
- Weight - 463 lbs
- Vertical stroke 24"
- Extends out to 30"



**Hydraulic Up/Down
Hydraulic Out
Model #025112**

- Rated to 30,000 ft*lb
- Weight 500 lbs
- Vertical stroke 24"
- Extends out to 30"

ACCESSORIES

**Bolt-on Boom Tip
Flood Lights**



**Bolt-on Boom Saddle
Model #022318**



**Bolt-on
Umbrella Mount**



**12vDC Power Pack for
Hydraulic Outriggers**

